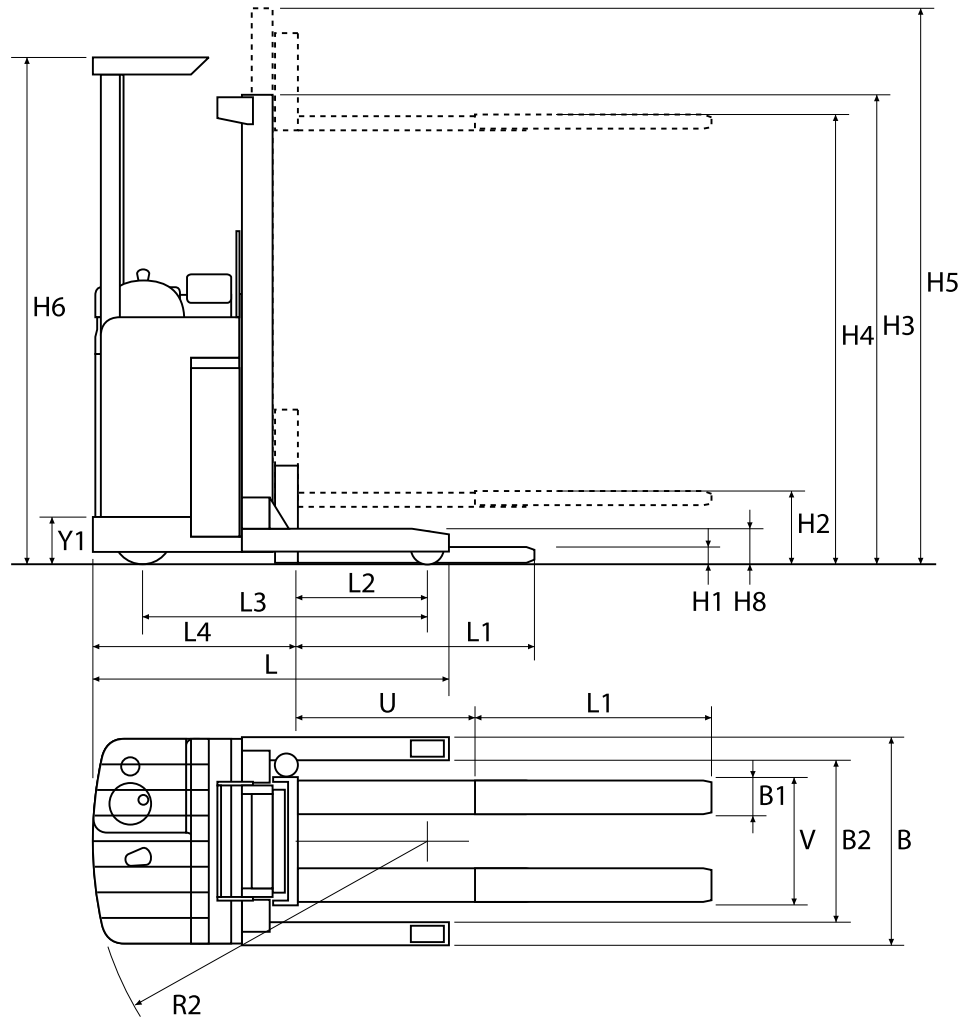


# TELESCOPIC FORK LIFT TRUCK



## ERGO ATF/AJN DTFV

Stand-on stacker for storing two-deep. Telescopic forks reach double pallet depth. Normal handling with forks retracted. Extra reach for loading vehicles.



Mast type	Standard lift height H4	Min mast height H3	Max mast height H5
Telescopic			
Double telescopic	4350 4800 5400 5700	2005 2155 2355 2455	4981 5431 6031 6331

# ATLET

[www.atlet.com](http://www.atlet.com)

		Specification			ERGO ATF/AJN DTFV
<b>Lift capacities</b>	0	Specification			
	0a	Straddle leg position			
	1	Lift capacity	Q	kg	1000
	1a	Load centre	D	mm	400 - 600
	2	Lift height	H4	mm	See table
	2a	Mast height	H3/H5	mm	See table
	2b	Transport free lift	H2 T mast	mm	
	2c	Full free lift	H2 DT mast	mm	H3-596
	2d	Straddle lift		mm	
	3	Mast tilt. Forward - backward			
3a	Tilting forks. Forward - backward				
4	Lift speed. Without load - with normal load		m/s	0,19-0,14 / 0,28-0,16	
4a	Lift time. Without load - with normal load		s		
4b	Lift speed, ergolift. Without load - with normal load		m/s		
5	Lowering speed. Without load - with normal load		m/s	0,35 - 0,50	
5a	Lowering time. Without load - with normal load		s		
<b>Drive capacities</b>	6	Drive speed. Without load - with normal load		km/h	8-8 / 10,0-9,3
		Drive speed. Without load - with normal load		m/s	2,2-2,2 / 2,8-2,6
	6a	Acceleration 0-10 km/h			
		Without load - with normal load		s	
	8	Gradient, without load / with normal load	max	%	7
	10	Turning radius	R2	mm	1382/1582/1682/1782
	11	Smallest practical stacking aisle incl 200 mm play			
		Load length 1200 mm	Ast	mm	2448
		Load length 1000 mm	Ast	mm	2248
		Load length 800 mm	Ast	mm	2048
		Aisle width requirement according to BITA GN9 UK market only			
		A1	mm		
		A2	mm		
		A3	mm		
	Smallest practical stacking aisle with pallet LL 1200 with the platform folded up/without platform				
11a	Intersecting aisle width. Load length 1200 mm	Min	mm		
11c	Max load length	LL	mm		
11d	Max load width	LB	mm		
<b>Truck measurements</b>	13	Height of overhead guard	H6	mm	2310
	13a	Height of driver seat	H7	mm	
	13b	Step-in height	Y1	mm	230
	13c	Floor height		mm	
	13d	Width of open gate		mm	
	14	Truck length	L	mm	1478/1678/1778/1878
	15	Truck width	B	mm	950
	15a	Width over guide wheels	A	mm	
	15b	Width over stabilisers	S	mm	
	15c	Platform length		mm	
	15d	Platform width	B3	mm	
	15e	Height of platform gates		mm	
	16	Fork length	L1	mm	800/1000/1100/1200
	17	Width over forks	V max/min	mm	570 / 670
	17a	Width between forks		mm	V-340
	18	Reach length	U	mm	500/700/900
	19	Distance from back plate to retracted fork heel	L4 T-mast	mm	
		Distance from back plate to retracted fork heel	L4 DT-mast	mm	1045
	20	Fork arm, width - thickness	B1	mm	170 - 73
	20a	Fork height, min	H1	mm	75
	21	Straddle height	H8	mm	160
	22	Width between straddles	B2	mm	750 / 950
	22a	Width over straddles		mm	950 / 1150
23	Distance between front axle and retracted fork heel	L2	mm	334/534/634/734	
23a	Distance between front axle and centre of attachment	L2	mm		
23b	Distance between front axle and heel of extended fork	X1	mm		
24	Axle distance	L3	mm	1098/1298/1498	
25	Wheel track, front rear (centre lines wheels)		mm	850 - 645	
26	Ground clearance at half axle distance		mm	60	
<b>Weights</b>	27	Total weight with-without battery.		kg	1560 / 1310
	28	Max axle pressure, fork side, without/ with classified load		kg	530 / 1450
	29	Max axle pressure, drive side, without/with classified load		kg	1130 / 1200
	30	Max wheel point loading, without/with normal load		MPa	
<b>Motors</b>	39	Battery capacity		kWh/Ah	5,7-11,1 / 240-465
	39a	Battery voltage		V	24
	41	Drive motor		kW	2,4 AC
	42	Speed regulation			Transistor
	43	Lift motor. Output/Interm. conn.time		kW-%/min	3,5-12/10 / 4,5-12/10
43a	Hydraulic pressure		MPa	15	
<b>Steering/brake system</b>	44	Wheel type, drive wheel/others			Rubber/Vulcollan
	44a	Number of wheels, drive/castor - load wheels			3 -2
	45	Wheel dimensions			
	45a	Load wheels - diameter x width		mm	(2) x 150x60
	45b	Drive wheel - diameter x width		mm	(1) x 250x80
	45c	Castor wheels - diameter x width		mm	(2) x 150x60
	46	Steering			El. servo
47	Service brake - Type-acting on			El. - drive motor	
48	Parking brake - Type-acting on.			Mech. - drive motor	

2006-07-26

\* Varies according to battery size

All rights reserved to change above specification